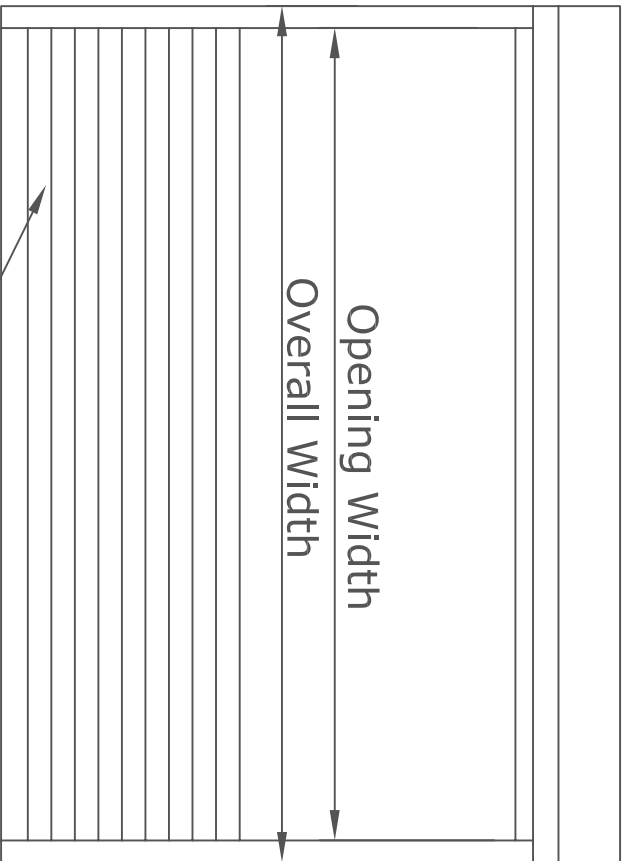
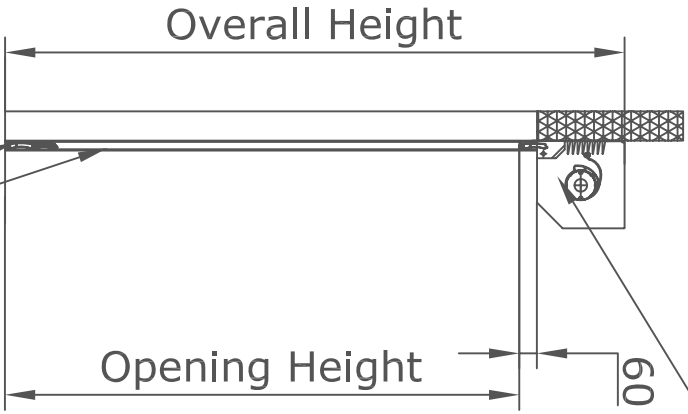
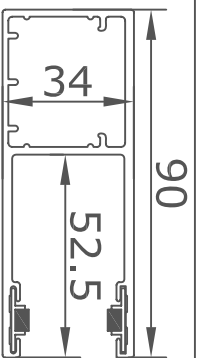


Box (300mm or 350mm box)

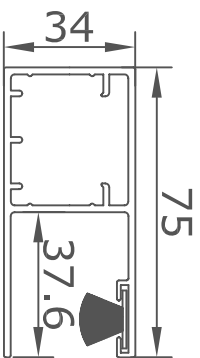


CD77 insulated slat

Guides (UPH250 or H75)
AEG/DW bottom slat with safety edge



UPH250



H75

Inside

SWS  **U.K.**

Cloughton,
Lancs, LA2 9LA,
Tel: 01524 772400
Nr. Lancaster,
Fax: 01524 772411

THIS DRAWING IS THE PROPERTY OF SWS

ALL DIMENSIONS IN mm
UNLESS OTHERWISE STATED
GENERAL TOLERANCES:
LINEAR +/- 1
ANGULAR +/- 1

TITLE:
SECUROGLIDE ARRANGEMENT

MATERIAL:	DRAWN BY:	REV.	STOCK NO.:	REVISION	SIG.	DATE
FINISH:	JF					
SCALE:	DATE:	DWG NO.:	TS0602			REV.
	30/6/12					0