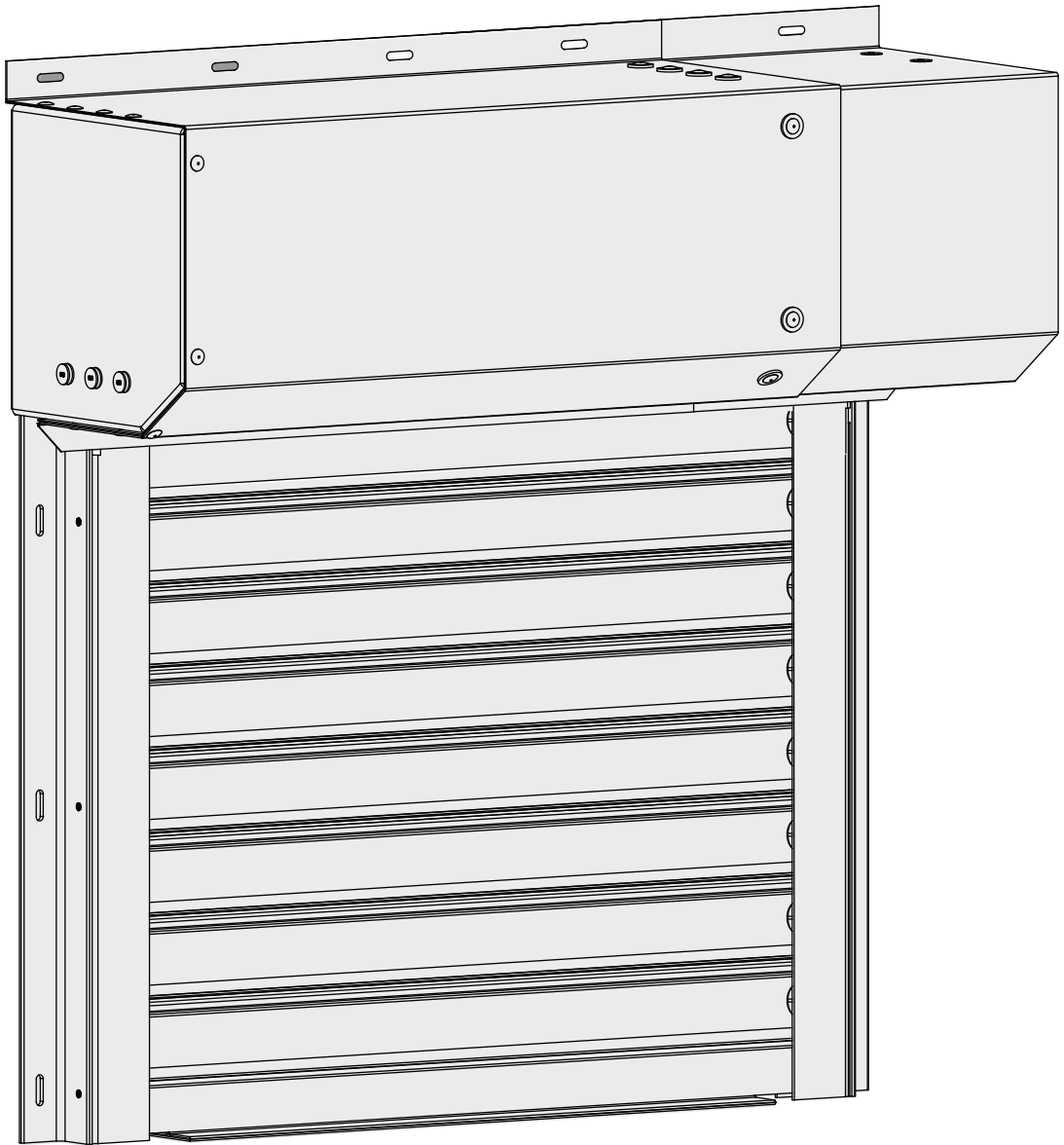




# SeceuroFire

## Flame Shutter



# FLAME SHUTTER

## INSTALLATION INSTRUCTIONS

## Page: Description

3-6	Product overview
7	Intended use
8	Generic GA
9	Scope of supply
10	Regulations and safety advise
11	Technical data
12	Preparation for installation
13	Face fix guides
14	Reveal fix guides
15-17	Installation
18	Motor limit adjustment
19	Hood installation
20	Commissioning check list
21	Service and repair
22-23	Operation and maintenance
24	Service records
25	Pro mate quick setup guide
26	SF1 quick setup guide
27	SFP quick setup guide



SWS UK SeceuroFire Flame Shutter



This symbol represents critical health and safety information

Product overview:

The product is a 75mm steel slatted vertically operating motorised shutter; end plates, hoods & fascias, guides and axles are all constructed from steel.

Desired application:

The product is designed in accordance with BS EN 13241:2014+A1:2018, and BS EN 16034:2014, and as such is suitable for installation as a fire resisting shutter. The shutter should be specified in situations by which the primary goal is to offer fire compartmentation and/or escape routes. The shutter can also be used as a doorway on a normal 'day-to-day' basis but all risk assessments must be completed by the commissioner/installer on completion.

Applicable standards: BS EN 13241:2014+A1:2018 (see DoP), and BS EN 16034:2014 (see DoP and below for detail);

Below is an extract of the DoP for the fire characteristics only, see specific DoP for each integrity rating for all details.

Essential Characteristics	Declared Performance	Harmonised Standard
Resistance to fire	E30/60/120/240	BS EN 16034:2014
Smoke Control(only for applications where limitation of smoke spread is required)	NPD	
Ability to release	Released	
Self-closing(only for self closing fire resistance and/or smoke control doorsets and/or openable windows)	C	
Durability of ability to release	NPD	
Durability of selfclosing	NPD	

Specific Technical Documentation:	
WF 413395	Fire resistance test in accordance with BS EN 16341:2014+A1:2018 on an uninsulated asymmetrical, exposed face fixed rolling shutter doorset
WF 415113	Extended application report in accordance with BS EN 5269-10:2011
WF 415114	Classification of fire resistance performance in accordance with EN 13501-2:2016
1121-CPR-CE-RA-500	Certificate of constancy of performance



Installation compliance:

The installation of a Fire Shutter must be in accordance with local building regulations, if in doubt information should be sourced via [www.gov.uk/government/publications/firesafety-approved-document](http://www.gov.uk/government/publications/firesafety-approved-document).

- Fire Shutters must comply with the relevant test standard and CE marking requirements; BS EN 16034:2014
- Fire Shutters in compartment walls must be openable and closable manually by fire fighters, without the use of a ladder
- Fire Shutters on escape routes must only be activated by a local heat sensor
- Fire Shutter on escape routes should not present undue delay or complexity
- It is the responsibility of the installer, building manager and respective fire officer to ensure that the final installation is adequately risk assessed in consideration of the building type and use as well as applicable standards BS EN 13241 and BS EN 16034, and local Building Regulations.
- The SWS UK Fire Shutter is only permitted to be installed into appropriate masonry or steel work as detailed below
- The shutter will not close in the event of cable breakage, please ensure that the cables are adequately protected
- The shutter will not close in the event of a mains power failure, the BBU will sound for approximately 2 minutes then will power down into hibernation mode (the BBU will remain active for a period, however the display panel should be monitored for mains supply and reported to the appropriate building manager).

#### Installation statement:

Certification of the SWS UK Fire Shutter has been obtained via practical testing under controlled conditions, to ensure the integrity of the Fire Shutter is maintained the substrate, supporting structures/subframes, geometry and fixings used must be equal too, or greater those specified by SWS UK– it is the installers responsibility to ensure this information is obtained prior to installation to ensure compliance.



#### Technical Specification and Installation Considerations:

##### Operation:-

- Tubular motor within the barrel assembly, featuring limit setting and thermal trip to prevent overheating.
- Draw 240 volts, a 13 amp fuse spur must be available for installation.
- The product will feature a safety brake with interlock facility.

##### Controls and battery backup:-

- Key switch control.
- Installation and commissioning must be completed with the SWS UK supplied controller and battery-back up.
- The BBU must be wired directly to a 240 volt mains supply.
- The controller must be wired to the fire alarm system (locally or building).
- The Fire Shutter installation must be checked weekly to ensure the operation of the BBU and alarm system are working correctly.
- The BBU will monitor the mains supply, this must be checked weekly via the digital display.
- The BBU will hold power capable of closing the product on alarm activation for a maximum of 30 days from removing from a mains supply – although this must be avoided on identification via weekly checks.
- The Fire Shutter will automatically closed on receipt of a fire alarm signal, the installer must ensure that an adequate risk assessment has been completed as this will contravene BS EN 13241 – photocells are available to offer protection, however offer no performance guarantees in the event of a fire and may be inhibited by smoke/fire, and may inhibit the ability to close (should the photocell be blocked for example).
- Audio/Visual warning is needed locally at the Fire Shutter when the product closes on receipt of a fire alarm signal, this can be through the existing building fire system or via a device connected to the control panel

##### Survey considerations when ordering:-

- Is there access to a 240 volt mains supply
- Is there access to a fire alarm system – if not consider additional alarms/controls from SWS UK.
- Has a building manager/fire officer been involved in assessing the risk of the product and it's use.
- Is there adequate substrates; steel or masonry (see overleaf for detail).
- Do you have the minimum fixings required (see overleaf for detail) – if not fixing kits are available from SWS UK.
- Is an axle cradle required – if so 200mm space above the top of end plate is required, and allowance for 'face-fitting' to a structure.
- Is the 'flat side' of the box exposed – if so a SWS UK fascia is required.
- Can the shutter be manually operated from ground level by the override a manual override crook will be supplied exiting from the 'coil side' as standard.

##### Minimum fixing requirements:

- Guide angle and end plates too structure:
  - o Masonry: M8 x 70mm Fisher FSAS 10mm sleeve anchors with steel and nylon washers
  - o Steelwork: M8 bolt length to suit parent steelwork with steel and nylon washers
  - o Some integrity ratings and sizes deem larger fixings necessary, check your accessory pack if unsure
- Axle cradle, hood and fascia:-
  - o Masonry: M6 x 70mm Fisher FSAS 8mm sleeve anchors with steel and nylon washers
  - o Steelwork: M8 bolt length to suit parent steelwork, with steel and nylon washers

##### Minimum substrate requirements:-

All conditions must be met:

- o Thickness to be greater than or equal to 102.5mm.
- o Density to be greater than or equal to 1600kg/m<sup>3</sup>.

o Protected Structural Steel

All conditions must be met:

- A/V must be less than  $230m^{-1}$
- Fire protection system to maintain the steel temperature at 400 degree C or less
- Fixings used to secure the door to the structural steel shall be in accordance with Annex B & to be fabricated from steel and designed not to reduce fire performance of the steelwork fire protection system in ambient conditions or in fire conditions.
- Information for points 1 & 2 can be supplied from the supplier of the structural substrate. Structural fixings specified in the "Detailed installation requirements" section.
- For non-blind applications a M8 4.6 grade or greater nut and bolt may be used, and the supporting steel must be equal to or greater than the supporting angle thickness (5mm).
- For blind applications the structure may be tapped if it is greater than or equal to 6mm in thickness and a M8 grade 4.6 bolt is used.

Detailed installation requirements:

Structure fixings:-

o Rigid Supporting Structure

- For ridged supporting construction M8 grade 4.6 (10mm sleeves) or greater sleeve anchor bolts may be used.
- A rigid supporting construction is considered to be masonry and to have equal to or greater density than  $1600 kg/m^3$  and thickness of 102.5mm.

o Protected Structural Steel

All conditions must be met:

- For non-blind applications a M8 4.6 grade or greater nut and bolt may be used, and the supporting steel must be equal to or greater than the supporting angle thickness (5mm).
- For blind applications the structure may be tapped if it is greater than or equal to 6mm in thickness and a M8 grade 4.6 bolt is used.

o Steel sub frames

- Cladding over steelwork; the end user is to risk assess and determine the suitability of cladding, and address whether it would be considered detrimental to the integrity of the finished installation.

Vertical expansion, Fire Shutter box:-

o Minimum fixings required:-

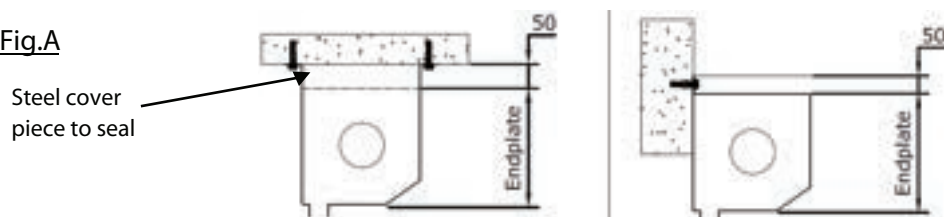
- Masonry: M6 x 70mm Fisher FSA-S 8mm sleeve anchors, with steel and nylon washers
- Steelwork: M8 bolt length to suit parent steelwork, with steel and nylon washers

o If the 'flat side' of the box is exposed, even partially, and not 'face-fixed' behind and adequate structure a steel fascia supplied by SWS UK in mandatory

o The top of the end plate must have 50mm of free space left above to allow for vertical expansion:

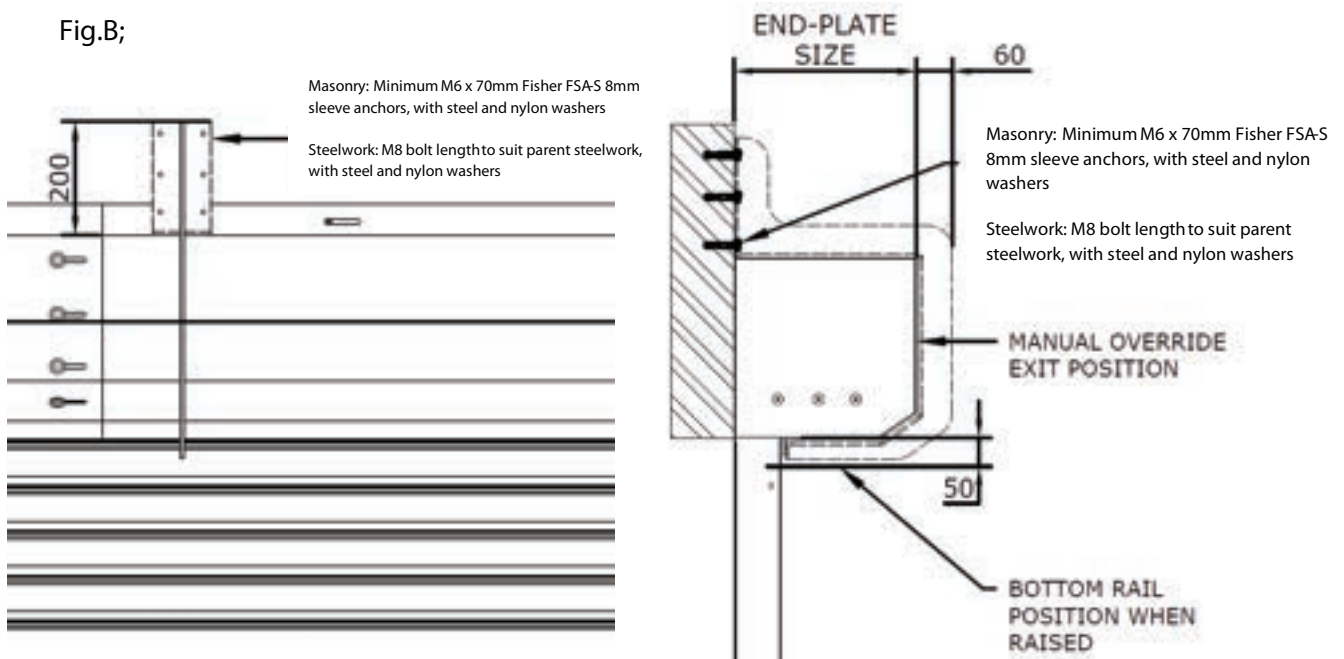
- When fitting to the structure upwards (reveal) the hood will extend 50mm beyond the end plate, see Fig.A below for detail
- When fitting in the reveal above, a cover piece will be provided to seal the gap to the side of the end plate, if a seal is not provided the installer must ensure the gap is securely sealed with minimum 1.5mm thick steel and adequate fire retardant sealant

Fig.A



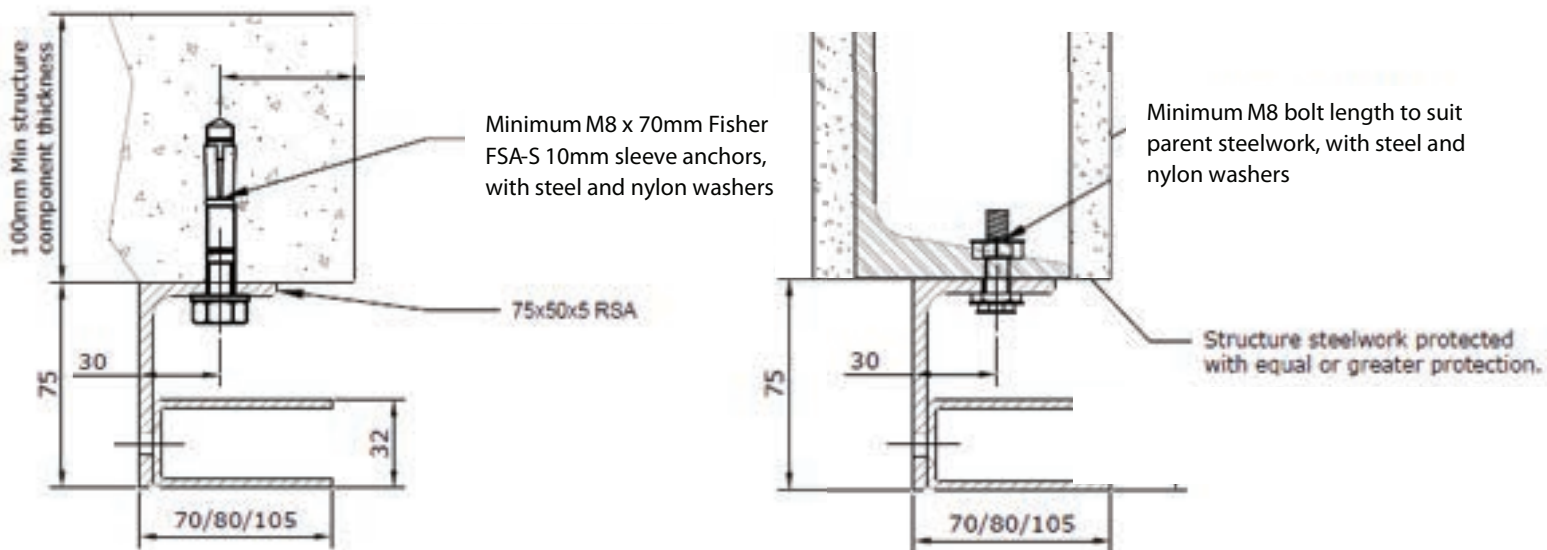
- Axle support cradle:
  - Minimum fixings required:
    - Masonry: M6 x 70mm Fisher FSA-S 8mm sleeve anchors, with steel and nylon washers
    - Steelwork: M8 bolt length to suit parent steelwork, with steel and nylon washers
  - Depending on the protection rating requirement and size an axle cradle may need to be installed around the box, see Fig.B below;
  - Axle cradles require 200mm above the top of the endplate, and must be 'face fixed' to the structure

Fig.B;



- Guide angle and end plate fixing
  - The product is design and tested to be fitted to masonry and steelwork only
  - The guide angles and end plates must be affixed to the structure using the following:
    - Masonry: M8 x 70mm Fisher FSA-S 10mm sleeve anchors, with steel and nylon washers
    - Steelwork: M8 bolt length to suit parent steelwork with steel and nylon washers
    - Some integrity ratings and sizes deem larger fixings necessary, check your accessory pack if unsure

Fig.C; when fitting within the reveal an additional steel angle will be supplied



## 1.1 Intended use

- This door system is intended exclusively for Daily use 2 cycles per day use (on average 900 cycles a year) and is not licensed for continuous operation. The motor unit must only be operated in dry spaces. (Total life cycle of product is 7000 cycles)

## 1.2 Target group

- Installation, connection, setting and maintenance in operation: qualified, trained specialist personnel.
- Operation, inspection and servicing: the operator of the door system.

Requirements to be met by qualified and trained specialist staff:

- Knowledge of the general and specific safety and accident-prevention regulations.
- they have knowledge of the relevant electrical regulation to current revision.
- Training in the use and care of appropriate safety equipment.
- Adequate instruction and supervision by qualified electricians.
- The ability to recognise hazards that can be caused by electricity.
- Knowledge of the application of the following standards
  - EN 12635 ("Doors and gates - Installation and use"),
  - EN 12453 ("Safety in use of power operated doors -Requirements"),
  - EN 12445 ("Safety in use of power operated doors -Test methods"),
  - EN 13241-1 ("Industrial, commercial and garage doors and gates - Product standard - Part 1: Products without fire resistance or smoke control characteristics").
  - BS EN 16034:2014 Pedestrian doorsets, industrial, commercial, garage doors and openable windows – Product standard, performance characteristics – Fire resisting and/or smoke control characteristics.
  - BS 5839-1:2013 'FIRE DETECTION AND FIRE ALARM SYSTEMS FOR BUILDINGS'

Requirements to be met by the operator of the door system:

- Knowledge and safekeeping of the instruction manual.
- Safekeeping of the test book for future reference.
- Knowledge of general safety and accident-prevention regulations.
- Instruction of all door system users of proper usage.
- Provisions to ensure the door system is regularly inspected, tested and maintained by fully trained and qualified professionals according to the manufacturer's instructions.
- The users must be supervised.
- The users must have been briefed on how to use the shutter
- The users must understand the dangers involved in handling the shutter
- Children are not allowed to play with the shutter

## 1.3 Guarantee

- A guarantee with regard to function and safety can only be granted if installation is carried out in a competent way and these instructions are followed exactly.
- If you do not observe the warnings, you run the risk of personal injury and damaging the door system.
- The manufacturer is not responsible for any damage that occurs if the safety guidelines are not observed.
- To avoid installation and operating errors, the installation and operation must be carried out exactly according to these installation and operating instructions. The door and motor unit may only be operated after reading these installation and operating instructions. These installation and operation instructions must be handed over to the end user who should store them carefully.
- The door systems are manufactured in accordance with guidelines outlined in the conformity declaration and standards and left the factory without fault and  
Maintenance must be performed on the door and motor unit before start-up and at least once a year thereafter. All maintenance work must be documented in the inspection logbook.
- The guarantee for the door and motor unit is only valid if original accessories are used. Any replacements must be carried out by qualified professionals. The manufacturer cannot be held responsible for any damages resulting from the use of other replacement parts or from incorrect installation.

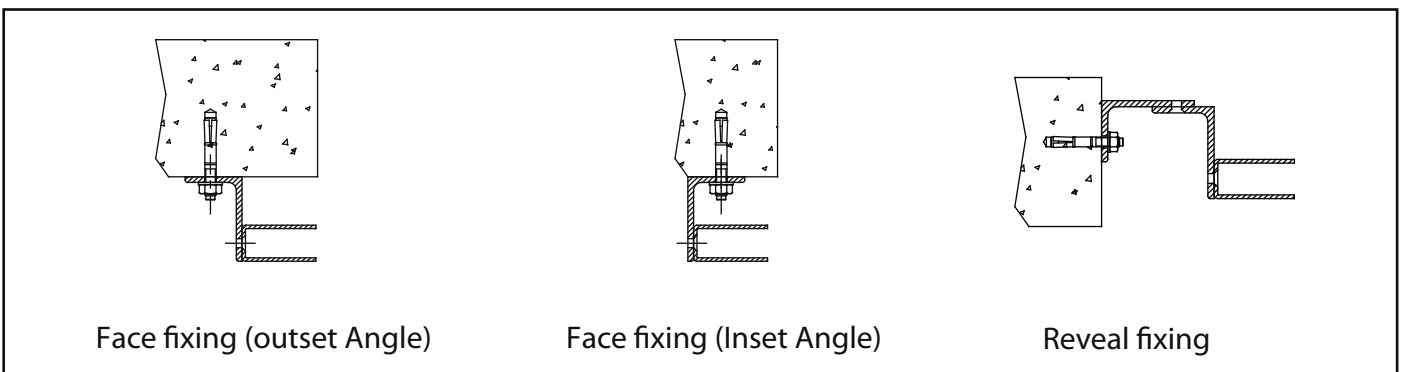
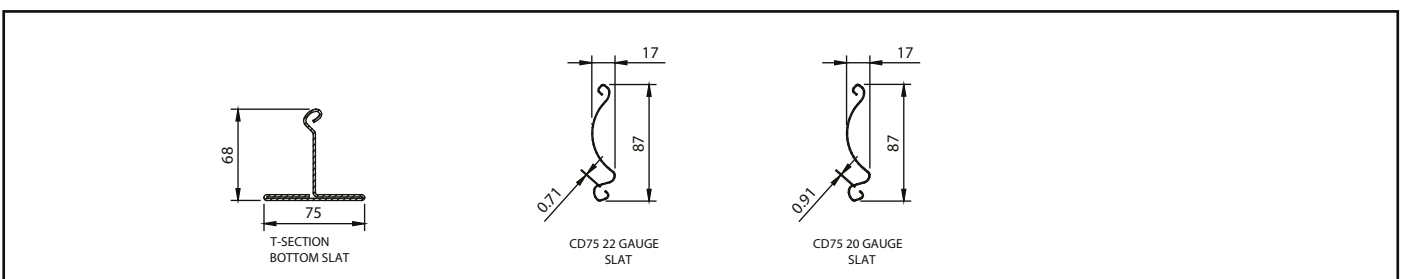
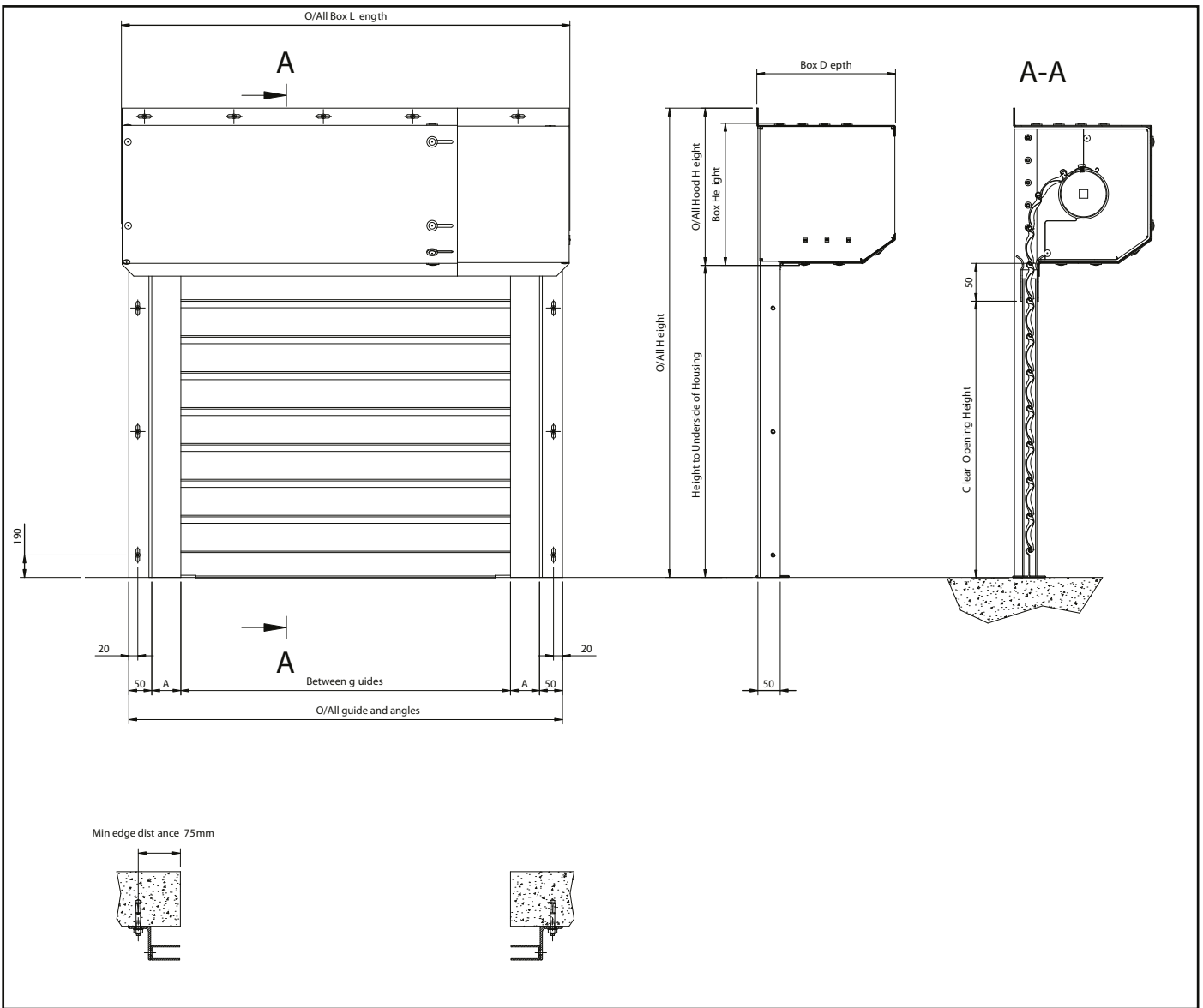
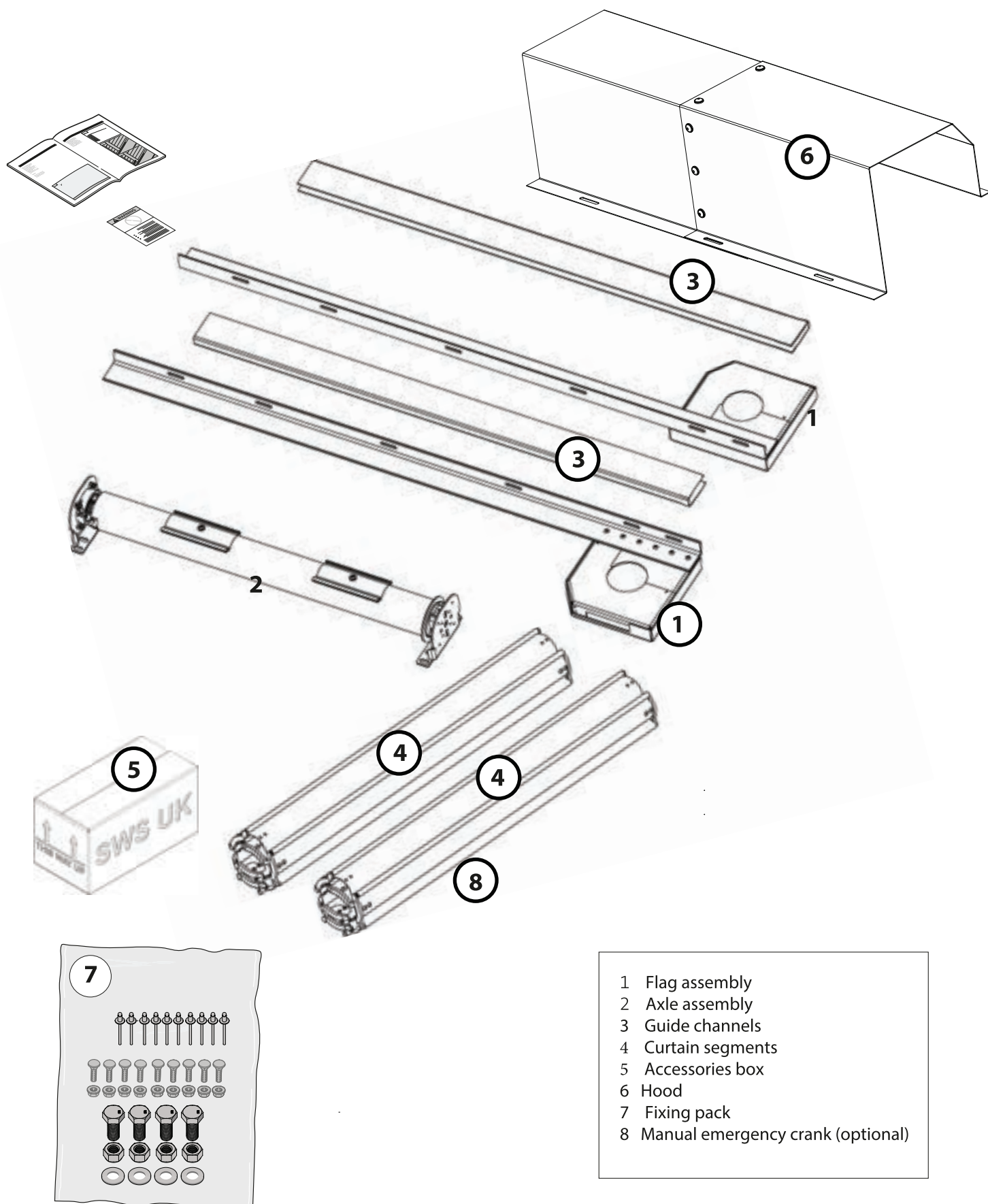




Fig. 1 Standard package (indicative images, package may vary dependent upon specification)



- 1 Flag assembly
- 2 Axle assembly
- 3 Guide channels
- 4 Curtain segments
- 5 Accessories box
- 6 Hood
- 7 Fixing pack
- 8 Manual emergency crank (optional)

### 3 Regulations

#### Installation regulations



**WARNING!**  
**Risk of personal injury!**

This is an important piece of safety advice which must be observed to avoid a risk of personal injury!



**ATTENTION**  
**Risk of material damage!**

This is an important piece of safety advice to avoid damaging the product you are installing!

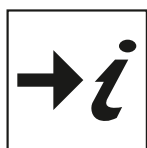


**Operational check:**

At this stage of the installation a component of the door, the operation of the door or the motor can be tested. This is very important as it can immediately identify an error which could take time to discover at a later stage.



**Advice / Tip**



**Reference to further product information**

Here a reference is made to another set of instructions which need to be used for installation of a particular component.

### 4 General Safety Advice

#### 4.1 General Information



This document is intended for a qualified, trained installation engineer and should not be given to the owner of the door but should be kept by the installer.

Please read all safety advice and relevant instructions carefully.

These installation instructions are intended for qualified and trained installation engineers.

Installation, initial operation, servicing, repairs and dismantling of this product should only be carried out by a qualified and trained installation engineer.

When installing an electrically operated product ensure the mains power supply to the product is disconnected before any electrical connections are attempted.

Before operating a shutter you must always ensure that there are no persons or objects in the opening before and during operation.

Upon completion of the installation the owner of the shutter must be trained how to operate the product safely paying special attention to the following points:

- The end user must read and follow the advice given in the operating and maintenance instructions.
- In the event of a malfunction the end user should follow the advice given in the operating and maintenance instructions and if applicable contact the installer.

During the installation of the shutter you should follow safe working practices. Further advice is available from the Health and Safety Executive (HSE).


## 4.2 Technical data

note: stating; for sizing matrix contact SWS UK


DESCRIPTION	Unit	Fire Rating			
		30 Min	60 Min	120 Min	240 Min
Minimum width back of angle	mm	955	955	955	955
Maximum width back of angle	mm	5710	5710	5210	2700
Minimum height top of endplate	mm	960	960	960	960
Maximum height top of endplate	mm	4700	4700	4700	2750
Curtain Gauge	SWG	22	22	22/20	22/20
Curtain Weight /M <sup>2</sup>	Kgs	11	11	13	16
Guide depth	mm	65-100	65-100	65-100	65-100
Motor Voltage	V	230V – 50Hz AC	230V – 50Hz AC	230V – 50Hz AC	230V – 50Hz AC
Motor Ampage	A	4	4	4	4
Operation temperature	°C	-20 to 70	-20 to 70	-20 to 70	-20 to 70
Motor IP Rating	IP	44	44	44	44
Motor speed	RPM	9-16	9-16	9-16	9-16

## 5 Pre-installation

### 5.1 Risk notes



**DANGER:** Danger to life through electric shock!  
Before carrying out any work on electrical components, isolate them from the power supply (230 V AC) (fuse, circuit breaker) and secure against unintentional reconnection.



**NOTICE:** Risk of damage to appliance or accessories!  
All the following pre-installation sections must be read and requirements met before starting the appliance or flue installations.

### 5.2 Standard tool requirements

- 1) Drill with pneumatic/hammer action
- 2) 13mm spanner or Socket
- 3) Two 19mm spanners
- 4) 250mm long masonry drill bit
- 5) Screw drivers and wire strippers
- 6) 4mm & 5mm Allen key
- 7) Pliers
- 8) Spirit level
- 9) Plastic hammer
- 10) Tape measure
- 11) Marker pen
- 12) Pop riveter
- 13) Silicone gun with fire rated sealant (shown by test to be suitable for the fire resistance period required)
- 14) Cable grommet
- 15) Bar Clamps
- 16) Torque wrench capable of 80Nm
- 17) Test Lead

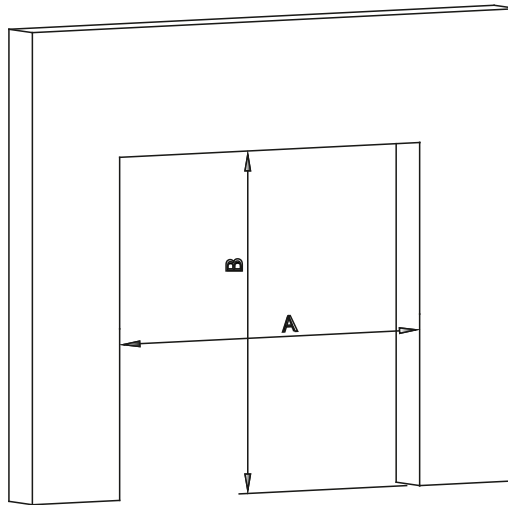
## 6.1 Preparation for the Installation

The structure of the opening must be adequate to take the weight of the door and suitable to take the appropriate fixings. Also the supporting structure has equal or greater fire resistance.



**RISK OF MATERIAL DAMAGE** Check that the opening is ready for installation. Surfaces should be flat and vertical to guarantee a parallel alignment of the guide rails. It is important that you check that the lintel does not bow inwards or have any projections that may catch on the curtain or could push the box back towards the curtain. If in doubt pack the guides and box out by at least 10mm.

Before you begin installing the shutter you should check that the shutter will not foul on any opening doors or windows or projecting door handles.



**RISK OF MATERIAL DAMAGE** Check the dimensions of the opening to ensure that the product supplied is the correct size to suit the opening. This must be done before removing any existing products and before you begin installation of the shutter.

To avoid damages to the box and the curtain unpack the components very carefully. We recommend using the packaging supplied as a protective mat.

Check the packages you have received to ensure you have received all the parts you require and they are in a satisfactory condition before you begin installation of the shutter.

Face fixing the shutter

Figure 1

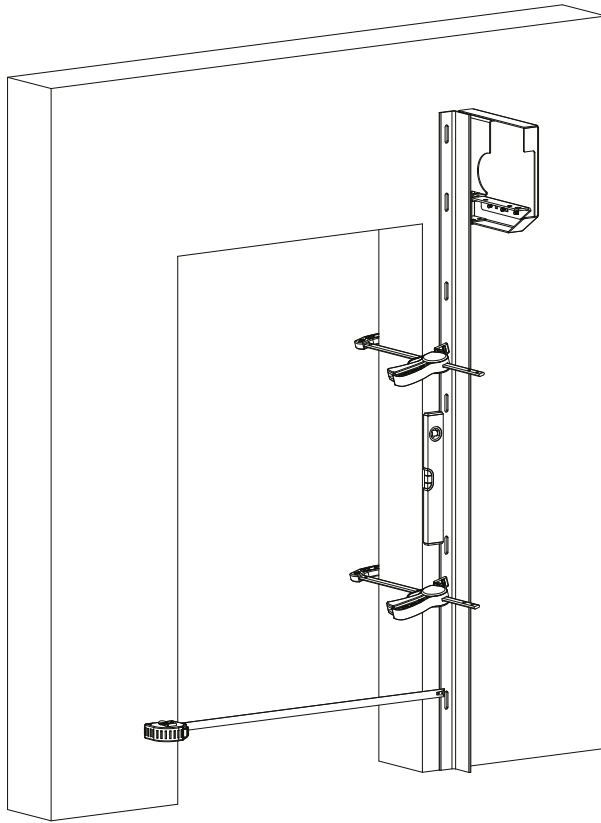
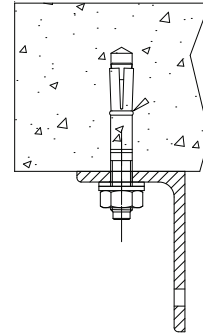


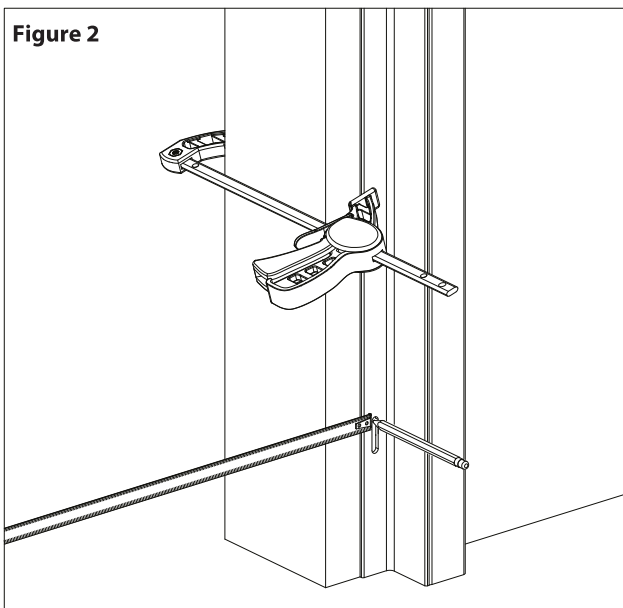
Figure 1a



Remove access panel from flag assembly, offer assembly to one side of aperture, measure the setback and upright using level. using bar clamps, fix position. Repeat action with second flag assembly, ensure careful measurement between angles match ordered sizes, failure to do so may result in non compliant installation to test specifications.

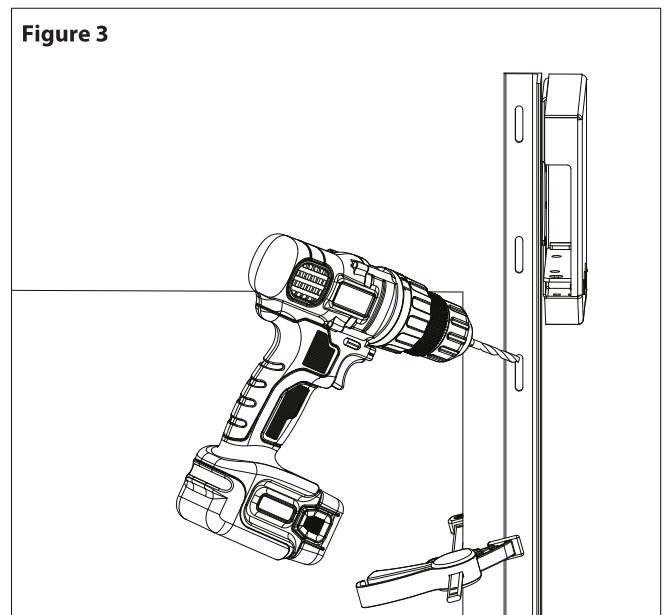
Minimum fixing requirements can be found at the start of this document, contact SWS UK if in doubt

Figure 2



Mark hole positions at top of slots to allow upward expansion.

Figure 3

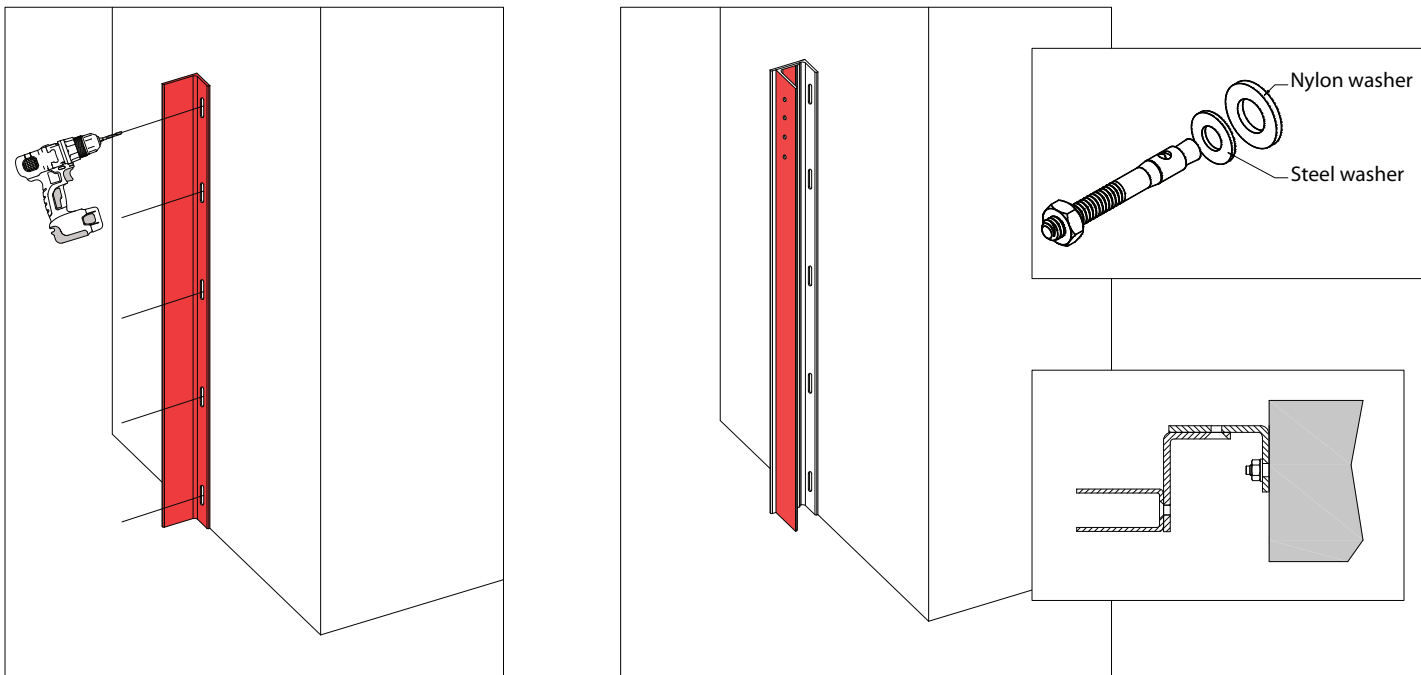


Drill 10mm holes perpendicular to structure, clear debris from hole. **Caution:** use hole cleaning brush to avoid dust and potential eye damage.

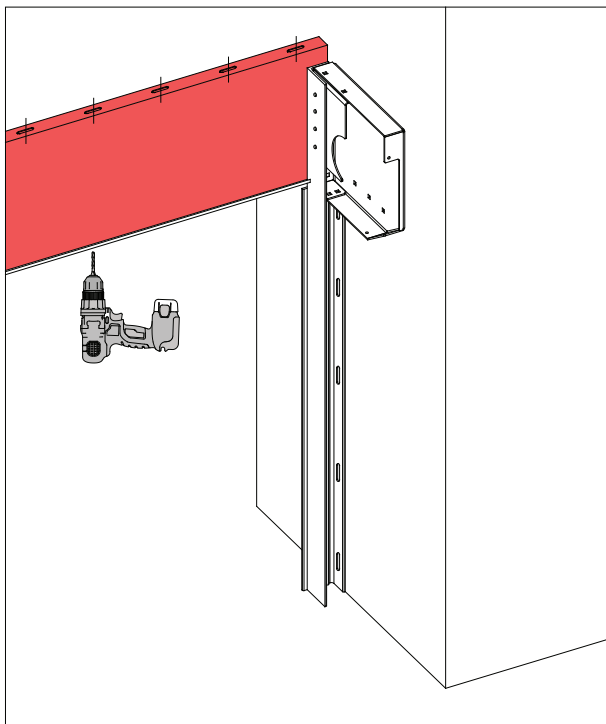
Reveal fitting shutter

Figure 1

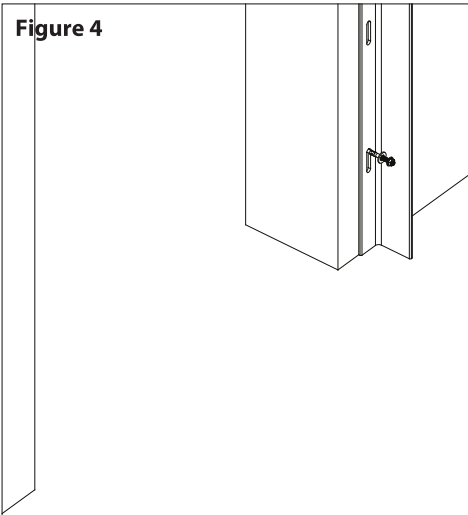
Reveal guide installation variant:



Fit the main fixing angle to the structure using recommended fixings and prepare to bolt the second angle to the main fixing angle using M8 Nuts & Bolts.  
Once you have bolted the angles together fix the Endplate to the second angle with the M8 Nuts and Bolts provided



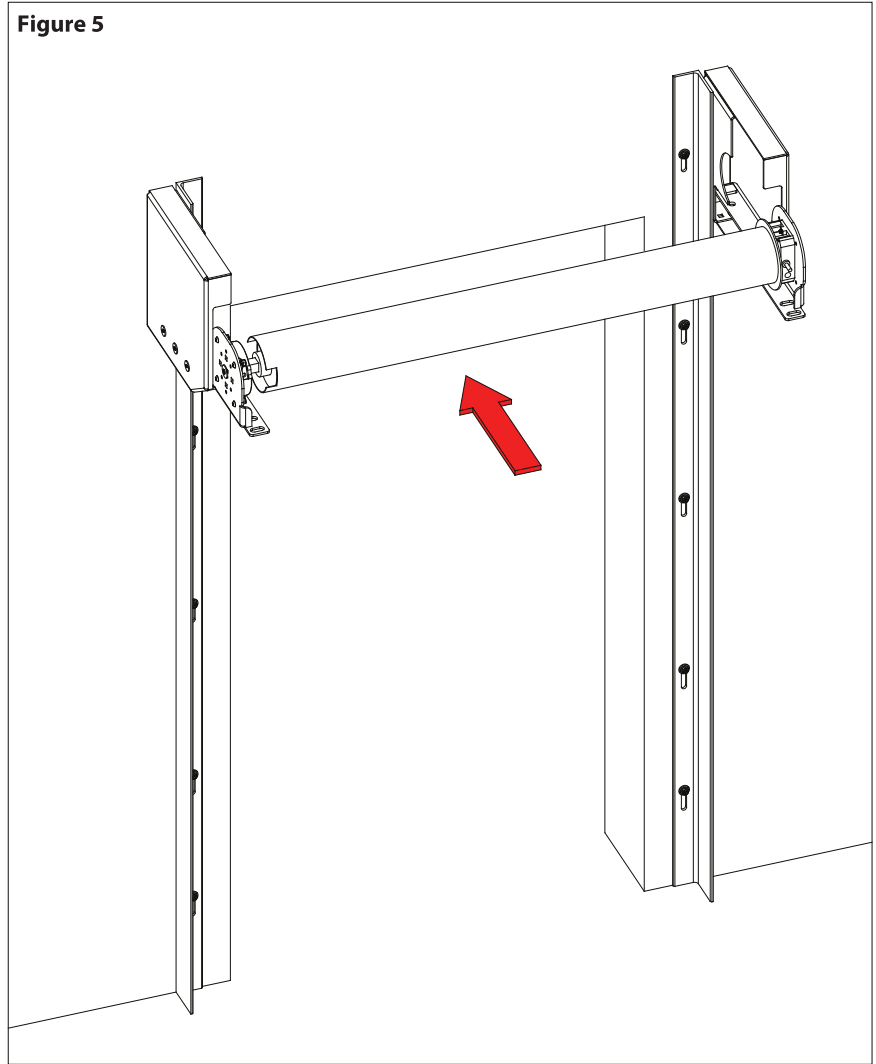
Once the angles and end plates are fitted on one side you must fit the fascia before you fit the opposite side. The fascia must fixed upwards allowing 50mm for expansion.  
Once you have completed this you can then slide the axle in place.



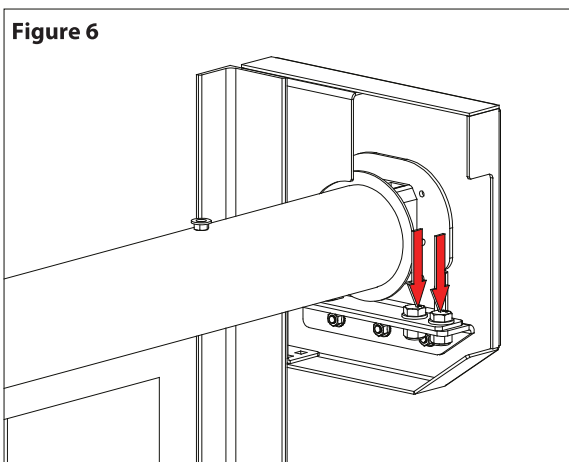
**Figure 4**

Insert fixings starting from top of aperture working downwards, finally fixing within hood zone. Nylon washers should abut the steel angle with steel washer placed on top.

Figure 5 illustrates sliding axle onto shelf angles, ensure axle mounting plate slides under shelf angle lip. Place level onto axle once positioned, check level, make adjustments to lowest flag assembly and tighten wall fixing to 40Nm.

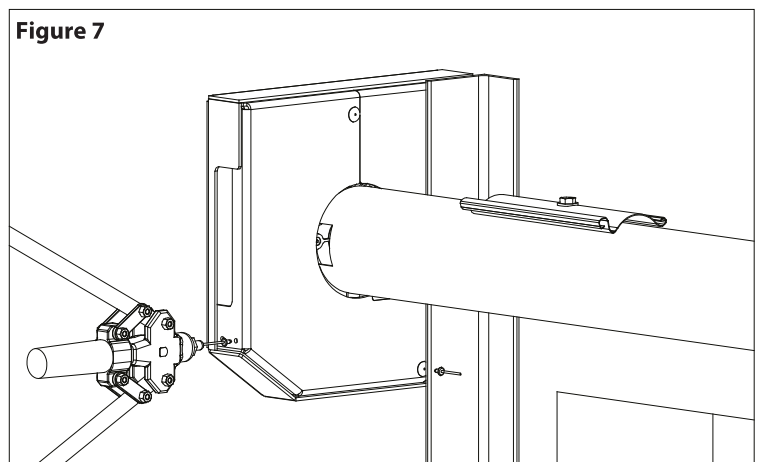


**Figure 5**



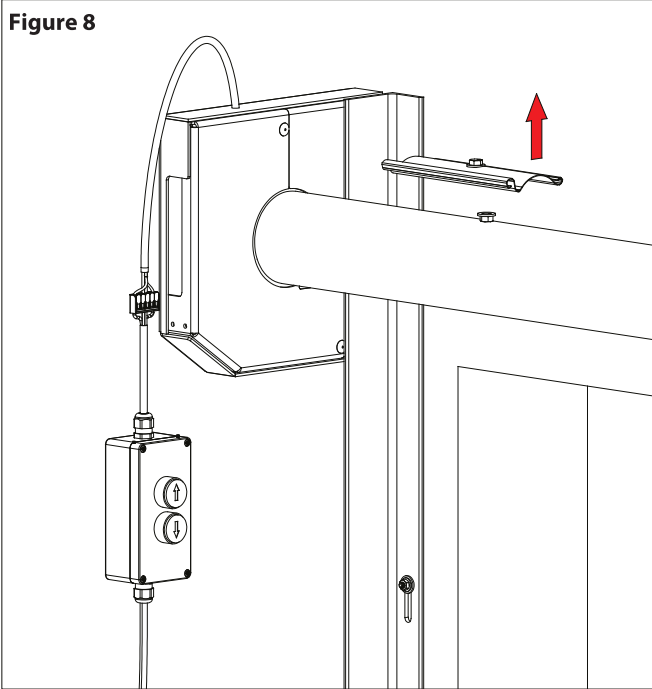
**Figure 6**

M12 washer and bolts inserted into inner most holes, Nyloc nuts threaded from underside of shelf angle, tighten to 80Nm. Ensure that axle ring resides within the end-plate volume. Drill hole to end-plate, size hole for gland to match 8mm motor flex. Ensure motor cable is secured within the end-plate housing.

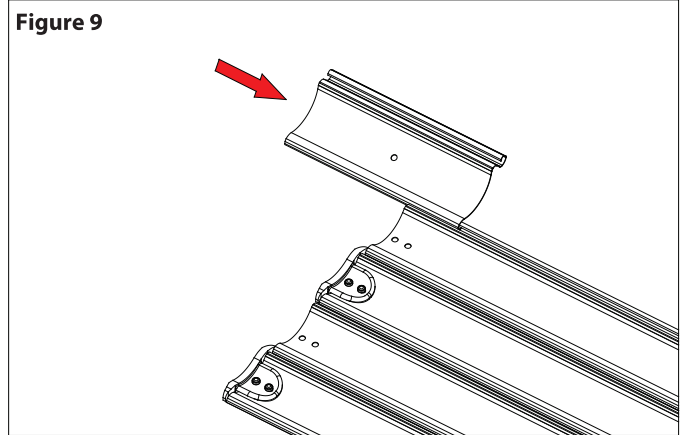


**Figure 7**

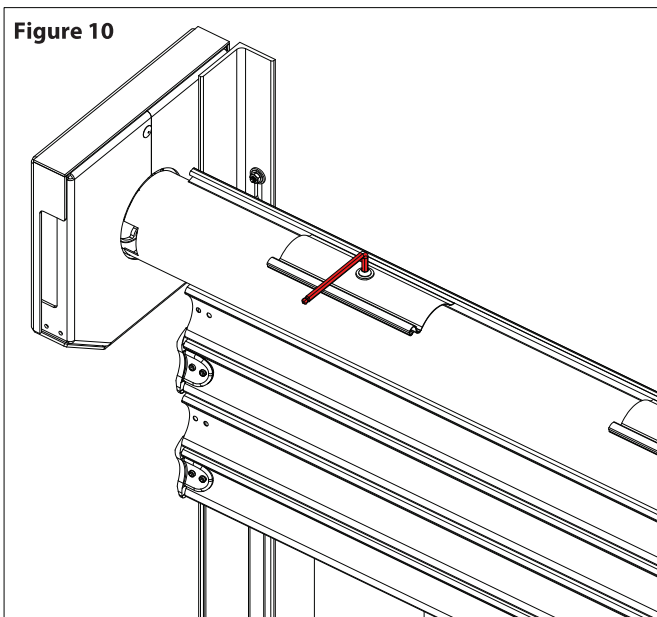
Fit access panel to endplate, ensure endplate components are aligned. Use a 5mm drill to drill through second skin of access panel at the predetermined locations



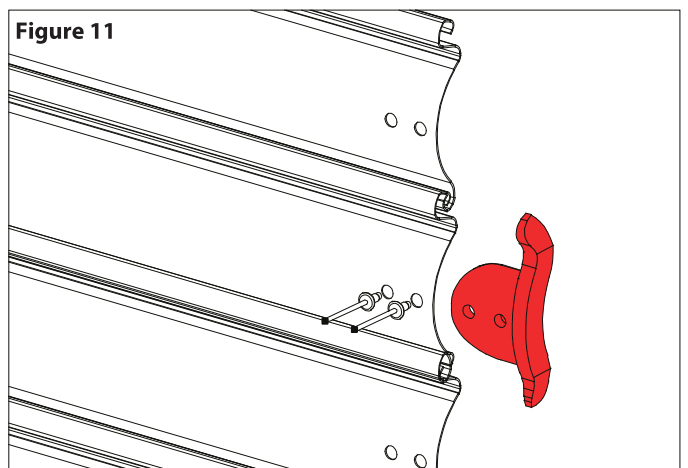
Using motor test lead drive axle to desired close position. Remove curtain attachment straps with 5mm allen key.



Slide attachment straps to upper section of curtain.



Use 5mm Allen key to re-attach curtain attachment strips.



Slide remaining section of curtain to attached upper sections, use supplied steel pop rivets to supplied cast endlocks.

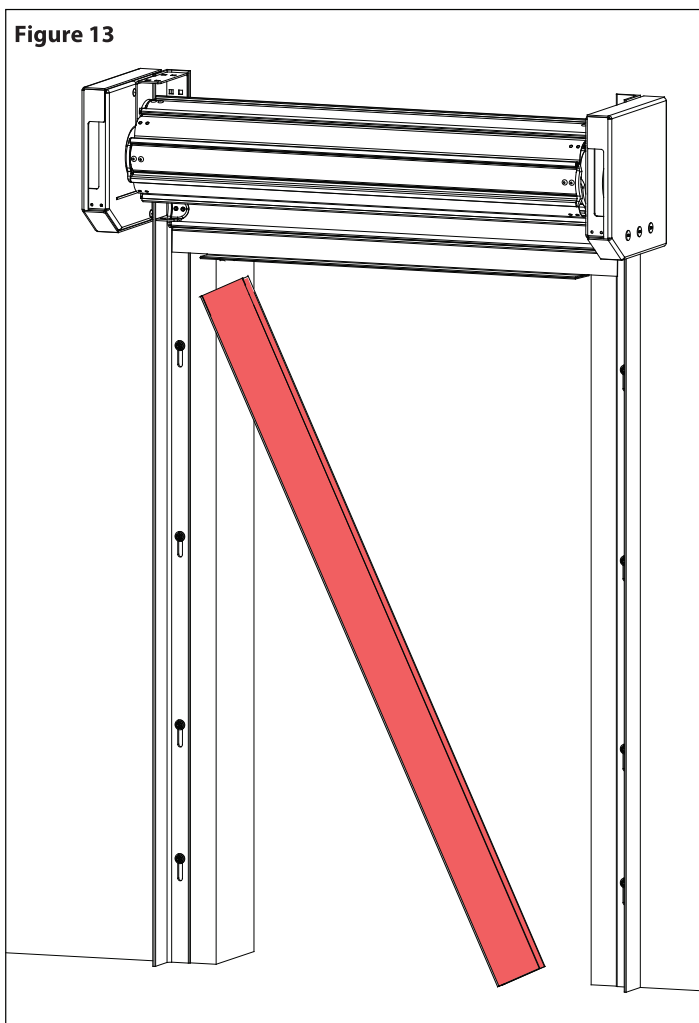


**Figure 12**

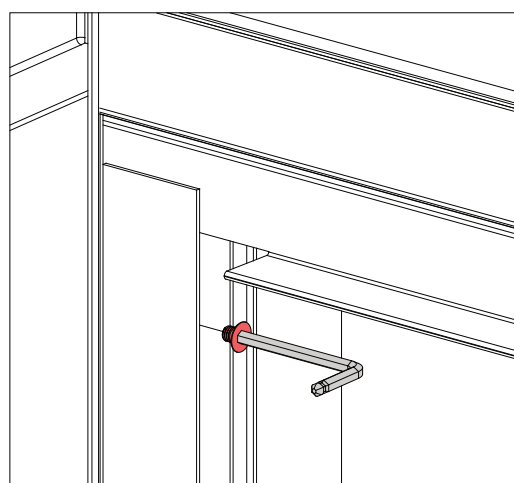


Drive curtain to fully open position. Adjustment of motor limits, T-rail is designed to be 50mm below underside of hood.

**Figure 13**



**Figure 14**

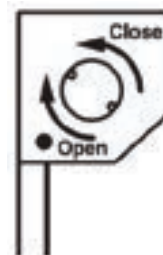


Fix guides with CSK screws from accessory pack. NOTE to not over tighten. Allow T-rail to move freely at top of guides and repeat on other side.

Ensure the correct channel is selected from original removal, manufacturing tolerances may cause alignment of opposing channels to be misaligned.

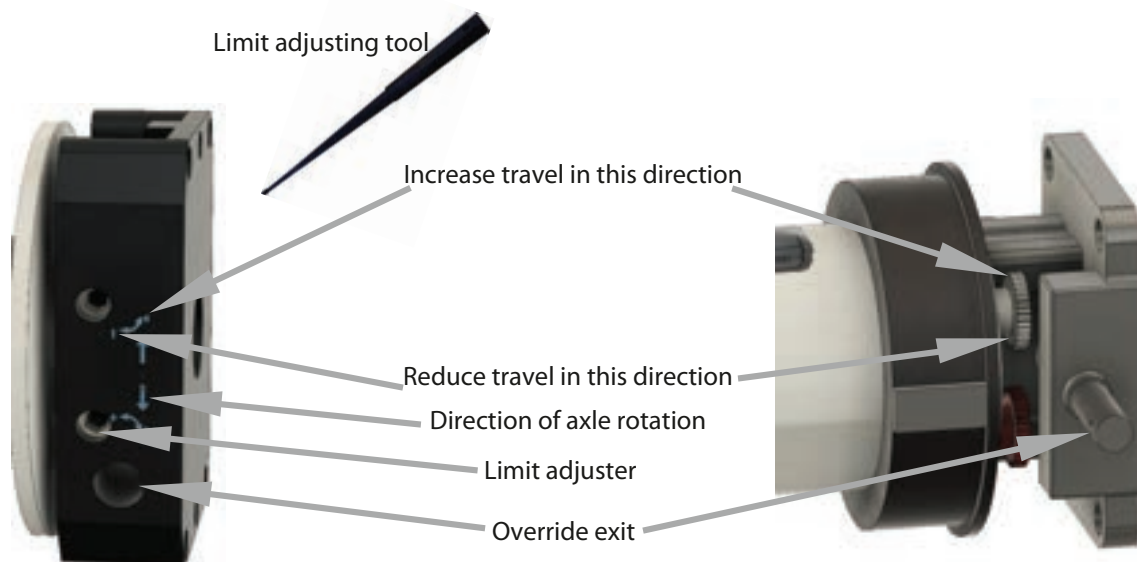
**Motor limit adjustment.**

The up and down limit is determined using the direction arrows next to the limit adjusters and the direction of axle rotation to either close or open the shutter.

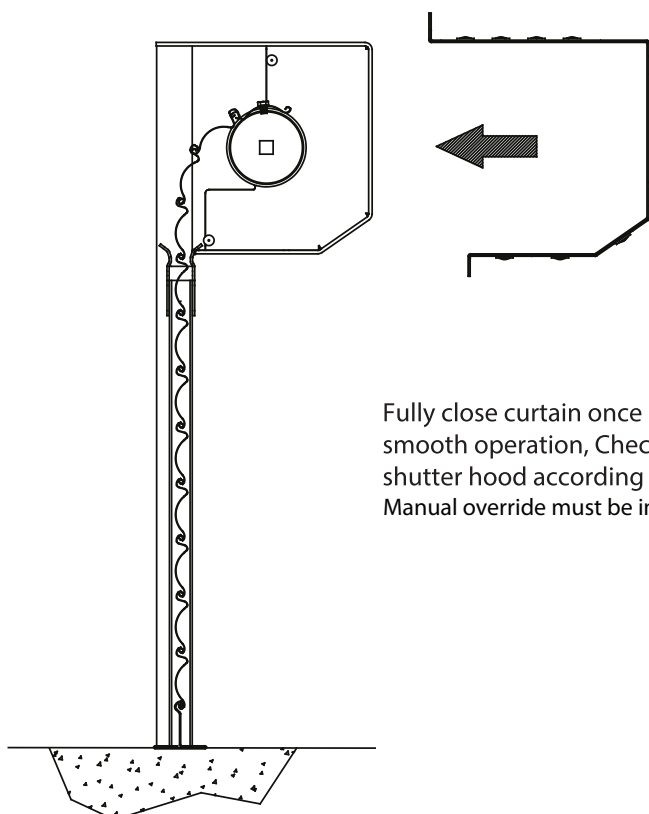


**Closed / Down limit. Setting attachment strap position.**

- 1) Carefully close the door using motor test lead so that the curtain is in the fully down position. the attachment straps should be positioned to apply a light downward force to the curtain, but to strain the curtain or motor in doing so.
- 2) Turn the down limit in the + direction to increase the travel of the curtain.  
Turn the down limit in the - direction to reduce the travel of the curtain.

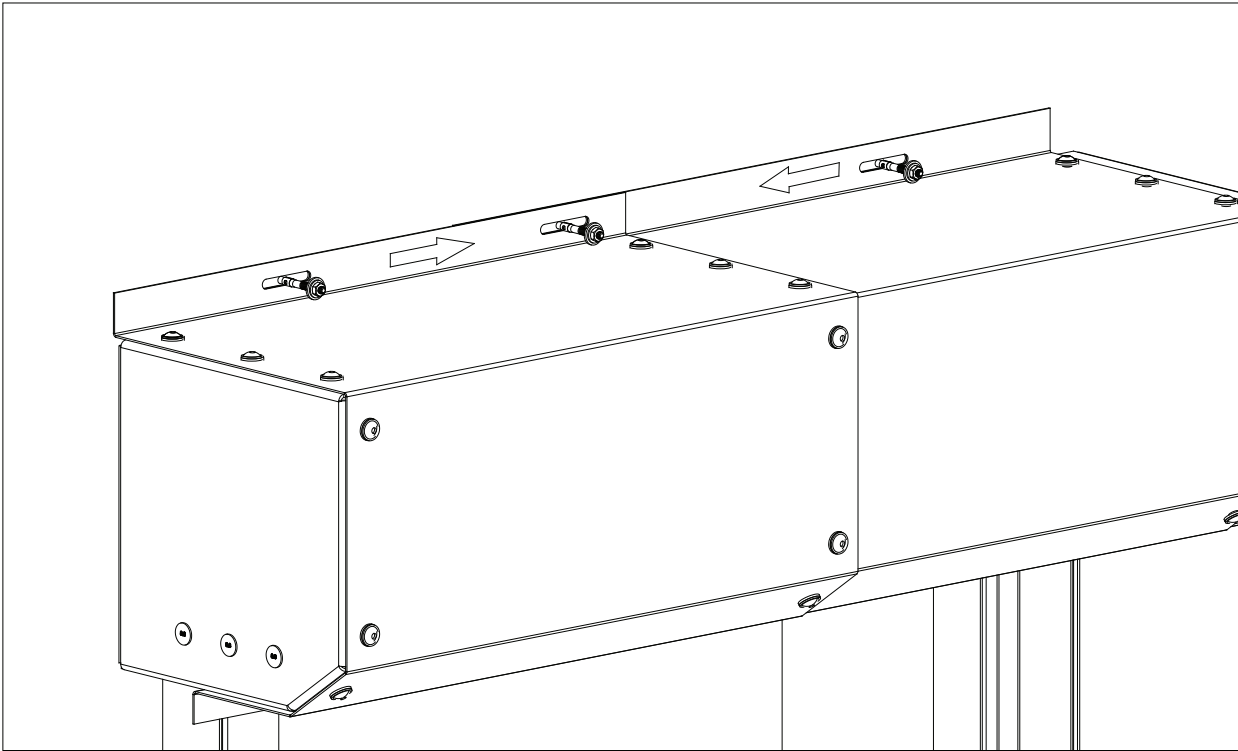


**Figure 15**



Fully close curtain once motor limits are set. Cycle curtain several times to ensure smooth operation, Check limit position consistency upon every cycle. Position shutter hood according to ordered configuration. Manual override must be installed after hood placement.

Figure 16



Fix hood slots with fixing on accordance with subsequent structure. Location of fixings are positioned to allow inward expansion of the sleeved hood.

All fixings to have Nylon washer first, steel washer second.

Hood affixed to end-plates with steel pop rivets over Nylon washers.

Apply fire mastic between fire shutter and structure ensuring no visible passage of airflow.

All electrical work must be carried out by a competent person in accordance with the IEE wiring regulations. If in any doubt consult a qualified electrician.

Protection of cabling should be in accordance with – BS 5839-1:2013 'FIRE DETECTION AND FIRE ALARM SYSTEMS FOR BUILDINGS'

## COMMISSIONING CHECKLIST

This Commissioning Checklist is to be completed in full by the competent person who commissioned the Fire shutter as a means of demonstrating compliance with the appropriate Building Regulations and then handed to the customer to keep for future reference.

- Ensure the customer has been trained adequately in the operation of the product.
- Hand over the O&M manual, DoP, DoC and ensure that you (the installer) retains copies of these documents (these documents are available from SWS UK on request).

Failure to install and commission according to the manufacturer's instructions and complete this Benchmark Commissioning Checklist will invalidate the warranty. This does not affect the customer's statutory rights.

Customer name:	Telephone number:
Address:	
Make and model:	
Shutter serial number:	
Commissioned by (PRINT NAME):	
Company name:	Telephone number:
Company address:	
Commissioning date:	

CONTROLS (tick the appropriate boxes)		
All wall fixture holes completed with fixing	Fitted	
Intumescent strip present and fix to end plate surrounds	Fitted	
Drive and none drive end fixings tightened	Fitted	
Guide channel fixing flush	Fitted	
Min 5 cycles of operation with smooth operation.	Performed	
Test feed to fire panel operates door as desired	Performed	
Removal of power supply sets BBU into hibernation, alarm feed reactivates	Performed	

Commissioning Engineer's Signature
Customer's Signature
(To confirm satisfactory demonstration and receipt of manufacturer's literature)

---

## 7 Service and spares

---

**CAUTION:** Mains supplies:

Isolate the electrical mains supply before starting any work on the appliance and observe all relevant safety precautions.

**CAUTION:** Component replacement:

After replacement of a related component, where a gasket or seal has been disturbed or replaced,

**8.1 Guarantee**

This appliance has a guarantee against faulty materials or workmanship for a period from the date of installation subject to the following terms and conditions:

SecuroFire products are guaranteed against defect of material or workmanship by SWS UK, subject to correct installation, maintenance and operation for a period of 12 months from the date of purchase. In addition the SecuroFire Flame Shutter motors are guaranteed for 2 Years

---

## 8 Fault finding and diagnosis

### 8.1 Fault finding

---



This fault finding information is for guidance only. SWS UK cannot be held responsible for costs incurred by persons not deemed to be competent.

Always isolate the mains power before attempting any maintenance, repairs or dismantling. If you need to use the optional remote control during any maintenance, repairs or dismantling procedure you must engage the commissioning mode.

Before attempting to repair or dismantle a shutter you should check for the presence of any safety devices, for example:

- **Anti-drop brake**

When repairing or dismantling a shutter you should keep the opening and the surrounding area clear to prevent risk of injury to yourself and others.

When repairing or dismantling a shutter you should follow safe working practices. Further advice is available from the Health and Safety Executive (HSE).

Maintenance check list:

- Curtain free running and clean
- All end locks are correctly and securely located in the curtain
- No debris in the guide rails
- Guide rails and end plates are securely fastened to the wall (check also the fascia if fitted)
- If applicable motor cable is correctly retained, has not been damaged or in danger of being damaged
- Check the operation of the manual override.

## 9 OPERATING & MAINTENANCE INSTRUCTIONS

There is a requirement under The Regulatory Reform (Fire Safety) Order 2005 for the buildings responsible person to ensure all fire safety equipment is maintained.

The period between checks is at the discretion of the customer however we recommend the following:

**Weekly** Check all the system for correct operation. Test operation of systems and self contained detectors

3 – 6 months Inspection and test of the system by a competent engineer.

**Annually** Full inspection and test of the system by a competent engineer, clean self contained detectors. Replace the two 12v lead acid batteries in the control panel\*.  
Cables and operation of the BBU should be inspected to ensure the power feed is present - BBU to be checked to ensure mains power is available

Always isolate the mains power before attempting any maintenance or Ensure that all cables are not broken as the shutter will not descend on a fire signal due to cable breakage.

When repairing or maintaining a fire shutter you should keep the opening and the surrounding area clear to prevent risk of injury to yourself and others.

### General instructions

This fire shutter is designed primarily as a fire barrier but will also provide a security barrier for everyday use.

The shutter can be opened and closed in normal circumstances but will close when it receives a signal from a fire alarm or a local sensor or during a routine test of the fire safety equipment.

As this product is classed as fire safety equipment, under The Regulatory Reform (Fire Safety) Order 2005, this product will require regular maintenance by a trained engineer.

### Operating instructions

This product can be closed or opened by a trained operator for everyday use as a security barrier, it will close when it receives a signal from a fire alarm or a local sensor or during a routine test of the fire equipment.

Please refer to any individual operating instructions which may have been supplied with the control unit for further information on operating your product. In the event of a safety brake activation:-

- do not attempt to operate the shutter
- contact a qualified service engineer immediately
- cordon off the area, remove the power feed and notify those present
- the safety brake should be checked by a qualified engineer, and reset if there are no signs of degradation/deformation
- the axle and components should be checked for signs of degradation or deformation, and replaced if necessary

In the event of a safety brake activation:-

- do not attempt to operate the shutter
- contact a qualified service engineer immediately
- cordon off the area, remove the power feed and notify those present
- the safety brake should be checked by a qualified engineer, and reset if there are no signs of degradation/deformation
- the axle and components should be checked for signs of degradation or deformation, and replaced if necessary

## 9 OPERATING & MAINTENANCE INSTRUCTIONS

### Maintenance

Careful use of your product(s) will avoid any additional maintenance or remedial work.

The guide rails, curtain and the box can be wiped with a damp cloth to remove any excessive dirt / grime to maintain the products appearance.

Make sure no objects are left in the opening(s) or in the guide rails that would prevent the curtain(s) from closing. This could damage the product

and more seriously would prevent the product from performing as an effective fire barrier.

Regular maintenance should only be carried out by a trained engineer to ensure that the product(s) will perform when required.

- Check for lateral movement in slats
- Check that endlocks are properly secured to slats

Regular maintenance should only be carried out by a trained engineer to ensure that the product(s) will perform when required.

**Checklist:** Check that the top slat is properly secured to barrel.

**Opening.** Check condition of bottom rail.

- - Check all fixings are present and secure
- Check all components are straight and true
- Check all components for signs of deformation

### Guides

Check for damage to guides.

- Check that guides are securely fixed to supporting construction.
- Check that there are no gaps between guide angles and supporting construction.

### Endplates, barrel, casing and casing supports

- Check for damage to endplates, barrel, casing, and casing supports.
- Check that endplates, casing, and casing supports are securely fixed to supporting construction.
- Check that casing is properly attached to endplates.

### Drive mechanism

- Check that the shutter opens and closes correctly under normal operation
- Check top and bottom motor limits
- Check that motor is securely fixed
- Check that the safety brake (where applicable) is present and that the interlock is wired correctly

Note: Any lubrication shall be kept to a minimum. Only high temperature greases and oils shall be used.

## 10 SERVICE RECORD

It is mandatory that the product is regularly and that the appropriate Service Interval Record is completed.

### Service Provider

Before completing the appropriate Service Record below, please ensure you have carried out the service as described in the manufacturer's instructions. Always use the manufacturer's specified spare part when replacing controls.

<b>SERVICE 01</b>	Date:
Engineer name:	
Company name:	
Telephone No:	
Comments:	
Signature	

<b>SERVICE 02</b>	Date:
Engineer name:	
Company name:	
Telephone No:	
Comments:	
Signature	

<b>SERVICE 0 3</b>	Date:
Engineer name:	
Company name:	
Telephone No:	
Comments:	
Signature	

<b>SERVICE 0 4</b>	Date:
Engineer name:	
Company name:	
Telephone No:	
Comments:	
Signature	

<b>SERVICE 0 5</b>	Date:
Engineer name:	
Company name:	
Telephone No:	
Comments:	
Signature	

<b>SERVICE 0 6</b>	Date:
Engineer name:	
Company name:	
Telephone No:	
Comments:	
Signature	

<b>SERVICE 0 7</b>	Date:
Engineer name:	
Company name:	
Telephone No:	
Comments:	
Signature	

<b>SERVICE 0 8</b>	Date:
Engineer name:	
Company name:	
Telephone No:	
Comments:	
Signature	

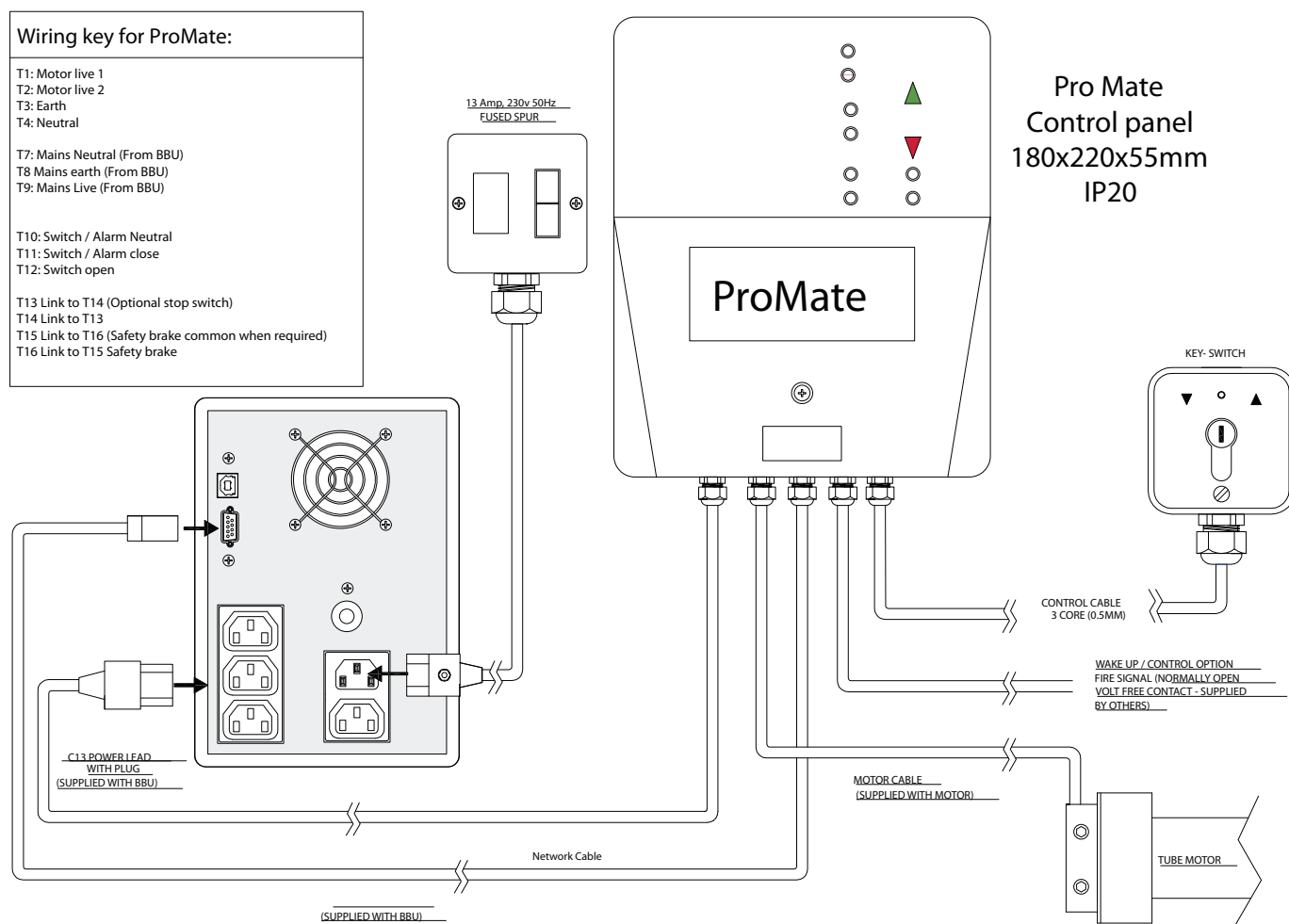
<b>SERVICE 0 9</b>	Date:
Engineer name:	
Company name:	
Telephone No:	
Comments:	
Signature	

<b>SERVICE 10</b>	Date:
Engineer name:	
Company name:	
Telephone No:	
Comments:	
Signature	



# ProMate

## Quick setup guide



Full technical setup guide link.



# Quick setup guide

## SF1

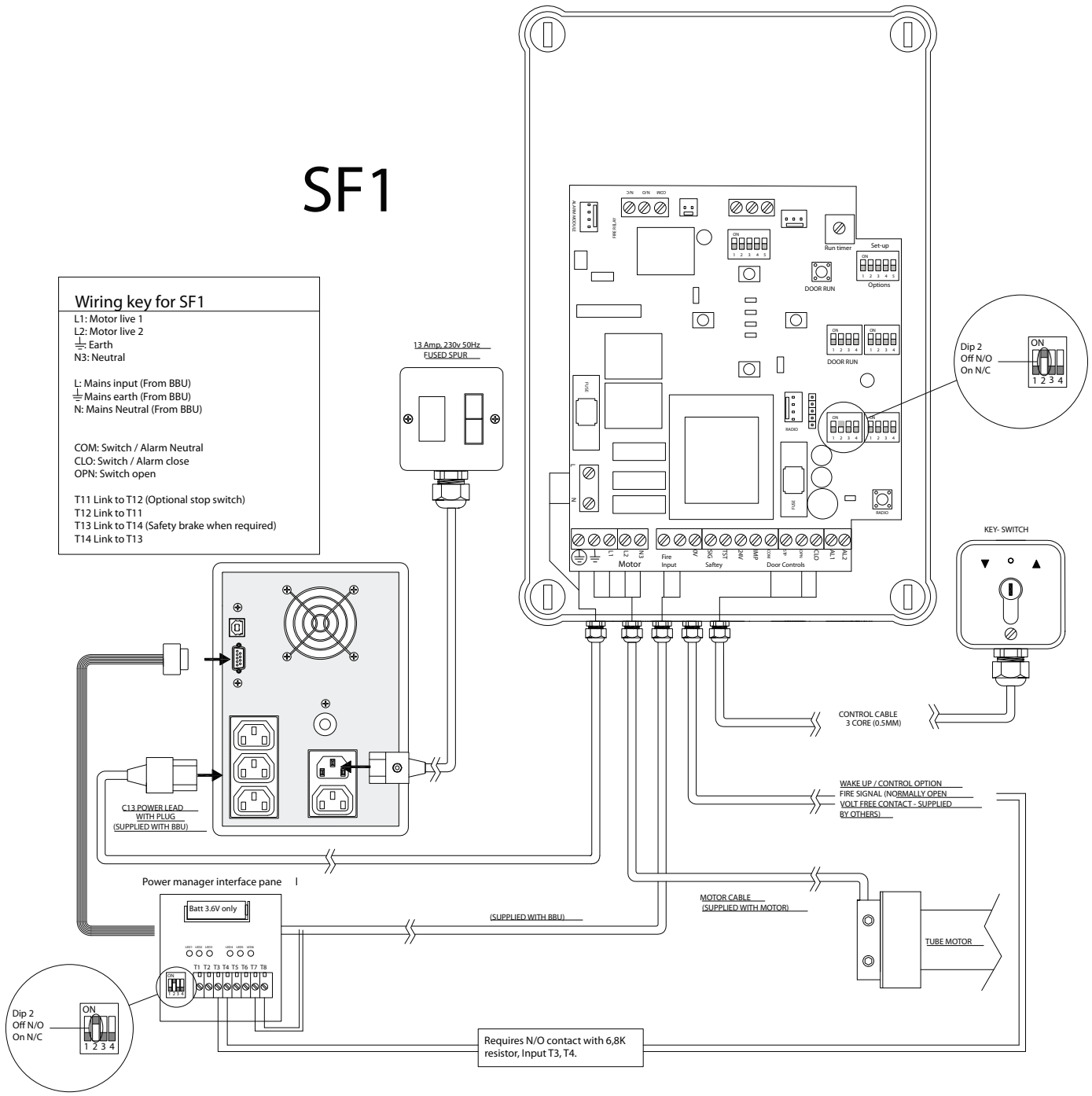
**Wiring key for SF1**

- L1: Motor live 1
- L2: Motor live 2
- ⊕: Earth
- N3: Neutral

L: Mains input (From BBU)  
 ⊕: Mains earth (From BBU)  
 N: Mains Neutral (From BBU)

COM: Switch / Alarm Neutral  
 CLO: Switch / Alarm close  
 OPN: Switch open

T11 Link to T12 (Optional stop switch)  
 T12 Link to T11  
 T13 Link to T14 (Safety brake when required)  
 T14 Link to T13



Full technical setup guide link.



# Quick setup guide

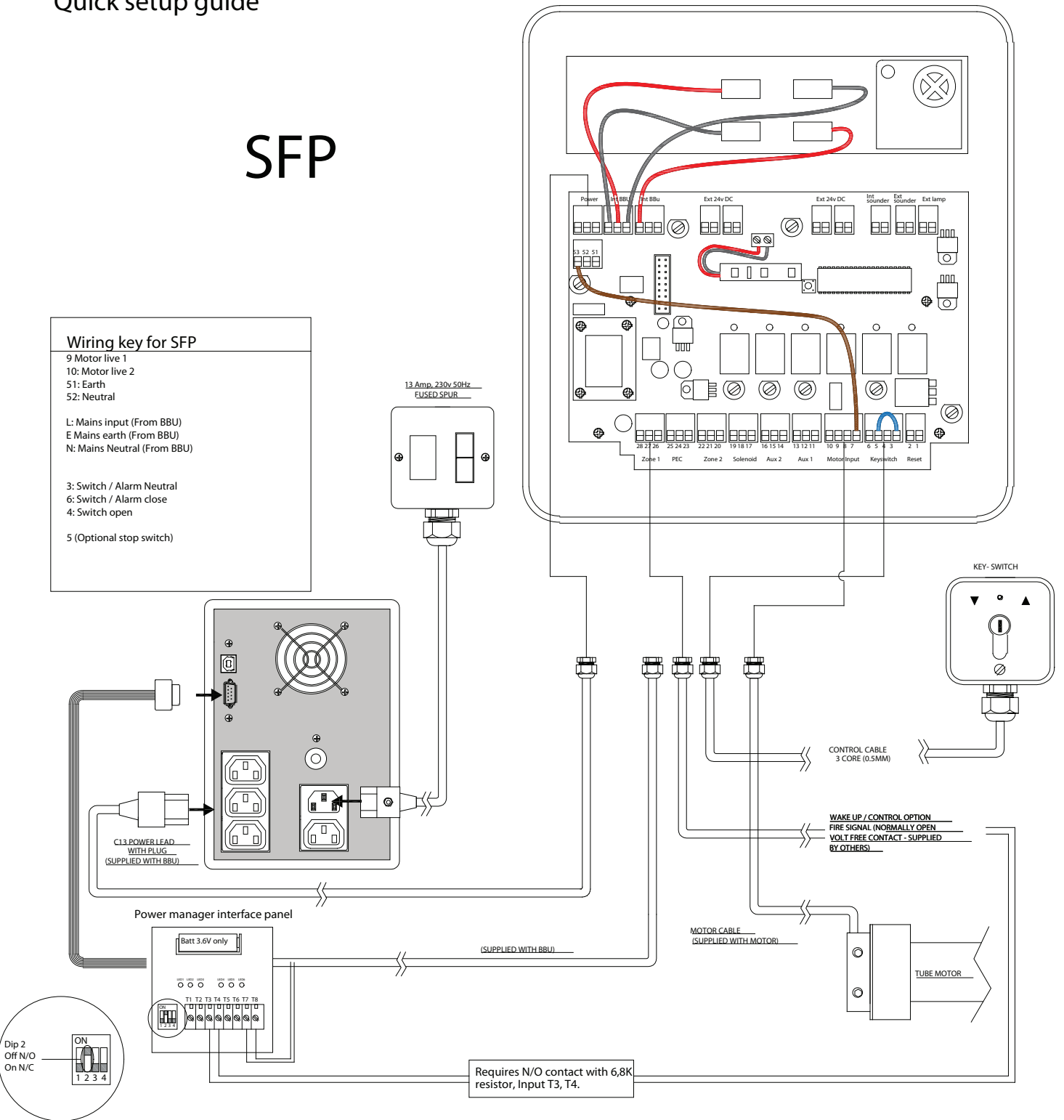
## SFP

**Wiring key for SFP**

- 9 Motor live 1
- 10: Motor live 2
- 51: Earth
- 52: Neutral

L: Mains input (From BBU)  
 E Mains earth (From BBU)  
 N: Mains Neutral (From BBU)

3: Switch / Alarm Neutral  
 6: Switch / Alarm close  
 4: Switch open  
 5 (Optional stop switch)



Full technical setup guide link.





**SWS UK Ltd**

Hornby Road, Cloughton  
Lancaster, Lancashire LA2 9LA

**t:** 01524 772 400 **f:** 01524 772 411  
**e:** [info@swsuk.co.uk](mailto:info@swsuk.co.uk) **w:** [www.sws.co.uk](http://www.sws.co.uk)